

SENITEC

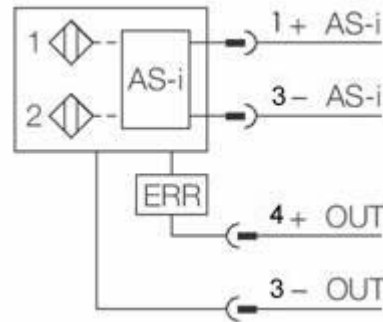
Position Indication Devices

2825 Pacific Drive
Suite C
Norcross, GA 30071
Phone: 770-416-1202
Fax: 770-446-1620
<http://www.senitec.com>

Inductive
Switch
IS55ASI

DATA SHEET

INDUCTIVE SWITCH IS55ASI and IS55ASI-TC



ELECTRICAL CHARACTERISTICS:

SWITCH RATING

INPUT VOLTAGE (V_{IN}) 18 to 33 VDC (AS-i STANDARD)

OUTPUT CURRENT ≤ 80 mA

OUTPUT VOLTAGE $(V_{IN} - 3)$ VDC

NO-LOAD CURRENT ≤ 30 mA

MAX SWITCHING FREQ ≤ 0.03 kHz

RATED INSULATION VOLTAGE ≤ 0.5 kV

SHORT-CIRCUIT PROTECTION YES

WATCHDOG YES

WIRE BREAKAGE PROTECTION ≤ 0.1 mA

OUTPUT LEDs YELLOW: OUTPUT, RED: WIRE BREAK

SWITCHING INDICATION 2 LEDs: YELLOW/YELLOW

MECHANICAL CHARACTERISTICS:

OPERATING TEMPERATURE -25 TO 70°C

RATED SENSING DISTANCE 4 mm

MIN REPEAT ACCURACY $\leq 2\%$

VIBRATION RESISTANCE 55 Hz (1 mm)