

SENITEC

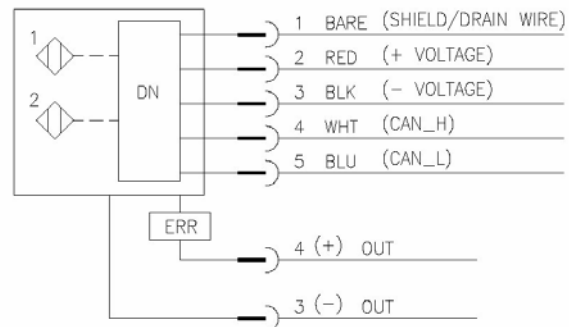
Position Indication Devices

2825 Pacific Drive
Suite C
Norcross, GA 30071
Phone: 770-416-1202
Fax: 770-446-1620
<http://www.senitec.com>

**Inductive
Switch
IS55DNET**

DATA SHEET INDUCTIVE SWITCH IS55DNET

DeviceNet™



SHORT-CIRCUIT AND OVERLOAD PROTECTED

ELECTRICAL CHARACTERISTICS:

SWITCH RATING
INPUT VOLTAGE (V_{IN}) 11 to 25 VDC
OUTPUT CURRENT ≤ 80 mA
OUTPUT VOLTAGE ($V_{IN} - 3$)VDC
NO-LOAD CURRENT ≤ 60 mA
MAX SWITCHING FREQ ≤ 0.05 kHz
RATED INSULATION VOLTAGE ≤ 0.5 kV
SHORT-CIRCUIT PROTECTION YES
WATCHDOG NO
WIRE BREAKAGE PROTECTION ≤ 0.1 mA
OUTPUT LEDs YELLOW: OUTPUT, RED: WIRE BREAK
SWITCHING INDICATION (SO1, SO2) 2 LEDs: YELLOW/YELLOW
STATUS LED 1 LED: RED/GREEN

MECHANICAL CHARACTERISTICS:

OPERATING TEMPERATURE -25 TO 70°C
RATED SENSING DISTANCE 4 mm
MIN REPEAT ACCURACY $\leq 2\%$
VIBRATION RESISTANCE 55 Hz (1 mm)

DEVICENET DATA:

INPUT DATA
BIT 0 SO1 INPUT/BIT 1 SO2 INPUT/
BIT 2 OUTPUT ERROR/BIT 7 INPUT ERROR
BIT 3 – BIT 6, NOT USED

OUTPUT DATA
BIT 0, VALVE OUTPUT
BIT 3 – 7, NOT USED