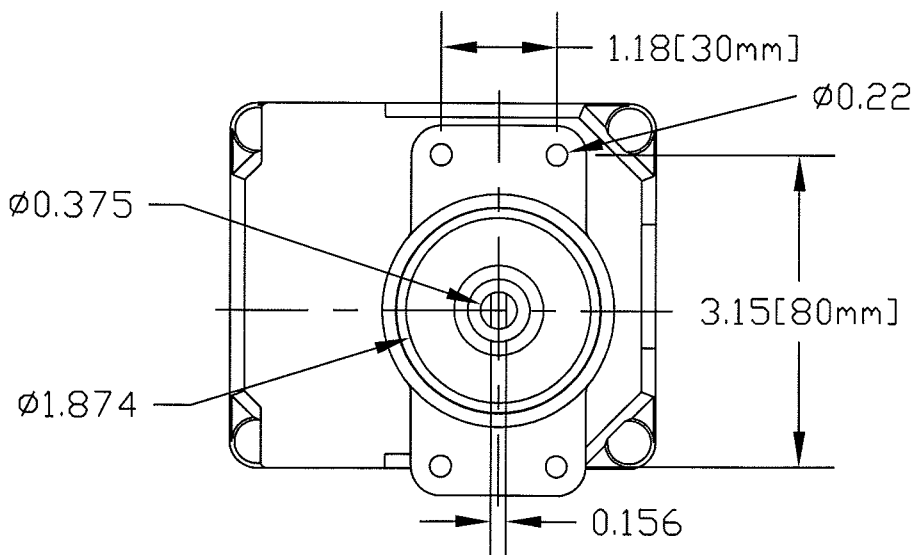
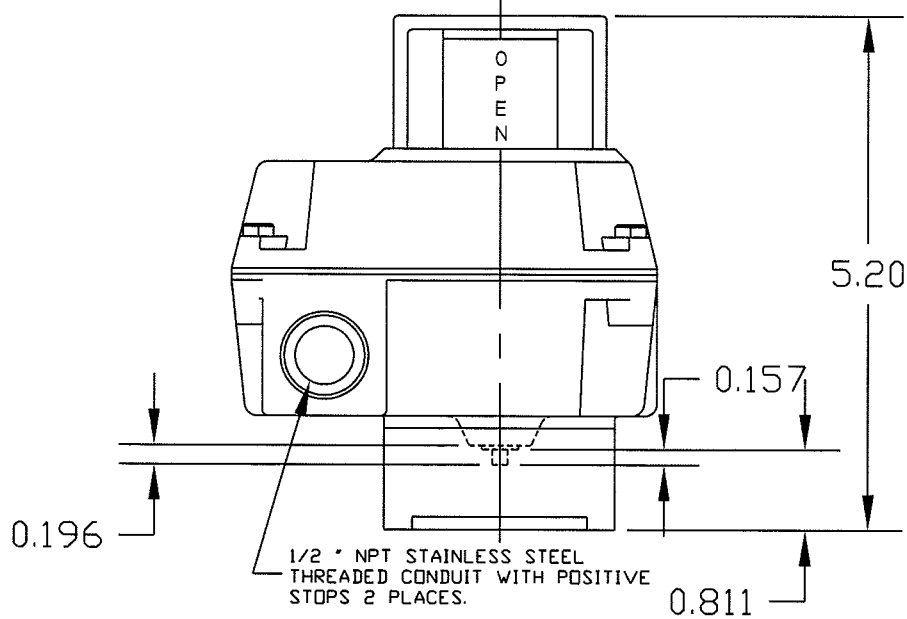
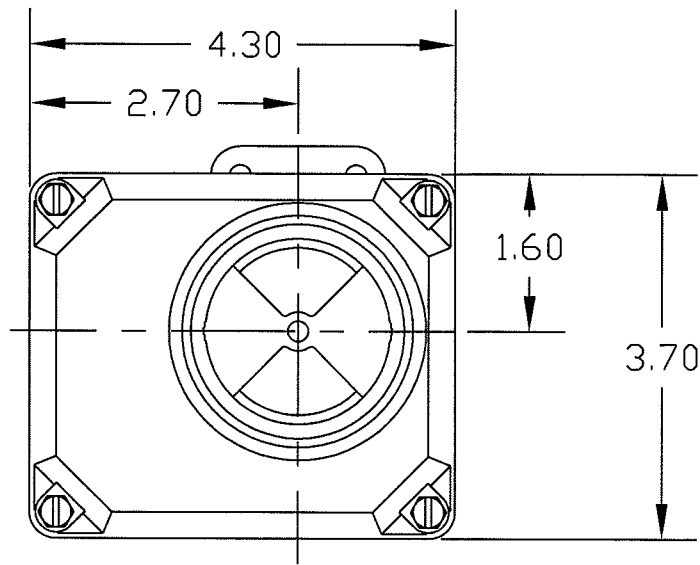


AAXXXXXX10



* OPTIONS DO NOT INFLUENCE DIMENSIONS

SCALE 1:2

SENITEC CORP

NORCROSS, GEORGIA U.S.A. 30071

PRODUCT
OUTLINE DRAWING

PART NUMBER
AAXXXXXX10

DESCRIPTION
SENITEC
POSITION INDICATING DEVICE
NEMA 4 COPOLYESTER
NAMUR 80 X 20

SALES DRAWING NO.
AAXXXXXX10

CLN REV.