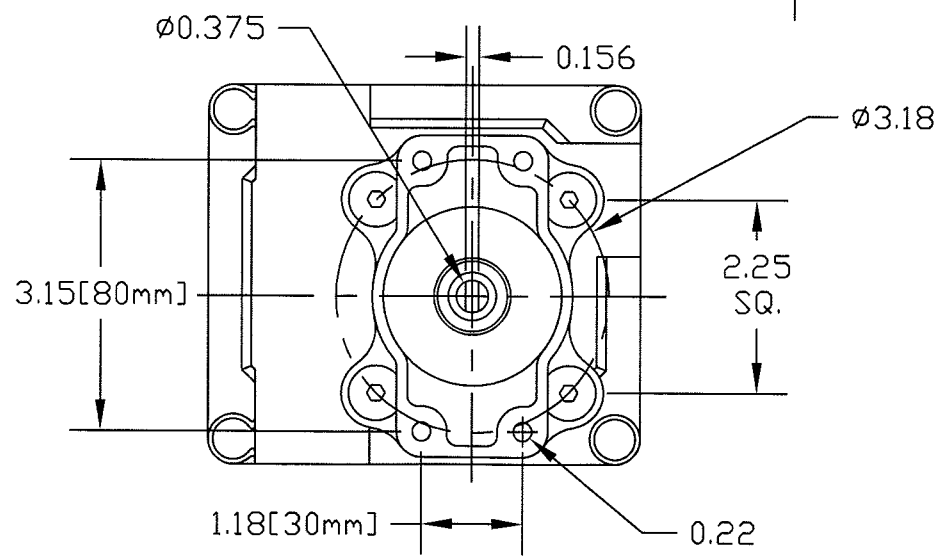
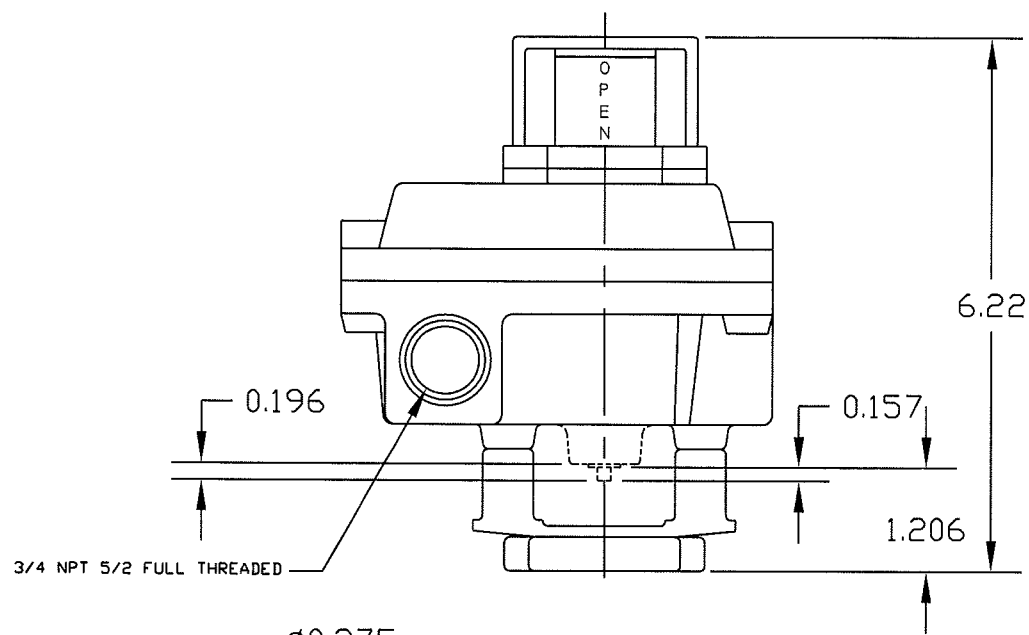
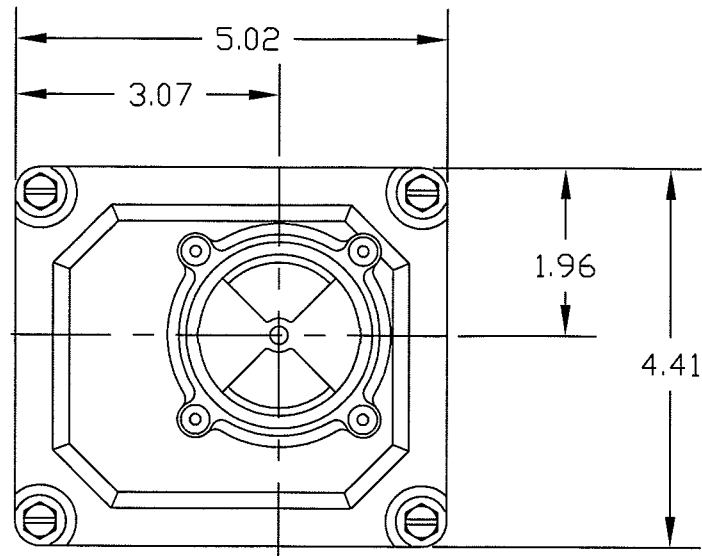


BAXAXX1X20



\* OPTIONS DO NOT INFLUENCE DIMENSIONS

SCALE 1:2

# SENITEC CORP

NORCROSS, GEORGIA U.S.A. 30071

PRODUCT  
OUTLINE DRAWING

PART NUMBER  
BAXAXX1X20

DESCRIPTION  
 SENITEC  
 POSITION INDICATING DEVICE  
 NEMA 4 ALUMINUM  
 NAMUR 80 X 30

SALES DRAWING NO.  
BAXAXX1X20

CLN  
REV.